

### NIAP protection profile

This product is certified to the NIAP protection profile PSD version 4.0 certification for peripheral sharing devices.

### Security Vulnerability

- Web form: <https://www.adder.com/en/support/contact-support>
- Email: [compliance@adder.com](mailto:compliance@adder.com)
- Tel: +44 (0)333 2079766

### Notes and warnings

- Note: Holographic anti-tampering labels protect the product's enclosure, providing a clear visual indication if it has been opened or compromised.
- Note: The product has a fixed EDID file, which is transmitted to all connected PCs. At no point will the actual connected display EDID be transmitted.
- WARNING: For security reasons, this product does not support wireless keyboards. It is recommended not to connect a microphone or headset to the audio output port.
- WARNING: If the unit's enclosure appears disrupted or if all of the indicators are flashing continuously, remove the product from service immediately and contact Technical Support.

### Dimensions

- |                       |  |
|-----------------------|--|
| • AVS-4224 (4-port)   | 344 (W) x 151 (D) x 59 (H) mm, weight 1.6 kg |
| • AVS-4228 (8-port)   | 443 (W) x 300 (D) x 44 (H) mm, weight 3.7 kg |
| • AVS-42216 (16-port) | 443 (W) x 300 (D) x 77 (H) mm, weight 7.0 kg |

### Welcome

This quick start guide covers some of the key points of the ADDERView Secure models: AVS-4224 (4-port), AVS-4228 (8-port) and AVS-42216 (16-port)

Please read the supplied safety instruction leaflet before use.

The ADDERView Secure Multi-Viewer Switches allow you to work simultaneously with multiple computers. As required, you can view the output of any computer on either connected video display or view all multiple outputs on one display. Focus automatically changes between computers as the mouse pointer is moved into each related screen. Switching between computers can also be controlled using hotkey sequences or from the optional remote control unit (RCU). Multiple techniques are employed to ensure that no crosstalk can occur between the connected computer channels.



AVS-4224 model

#### Audio Hold button

Allows you to listen to audio from one computer while working with another.

#### Computer channel buttons

Press a button to connect the console peripherals to the corresponding computer. An indicator will illuminate on the selected button.

#### Status indicators

Display the status of the keyboard locks plus the remote control.



[www.adder.com](http://www.adder.com)

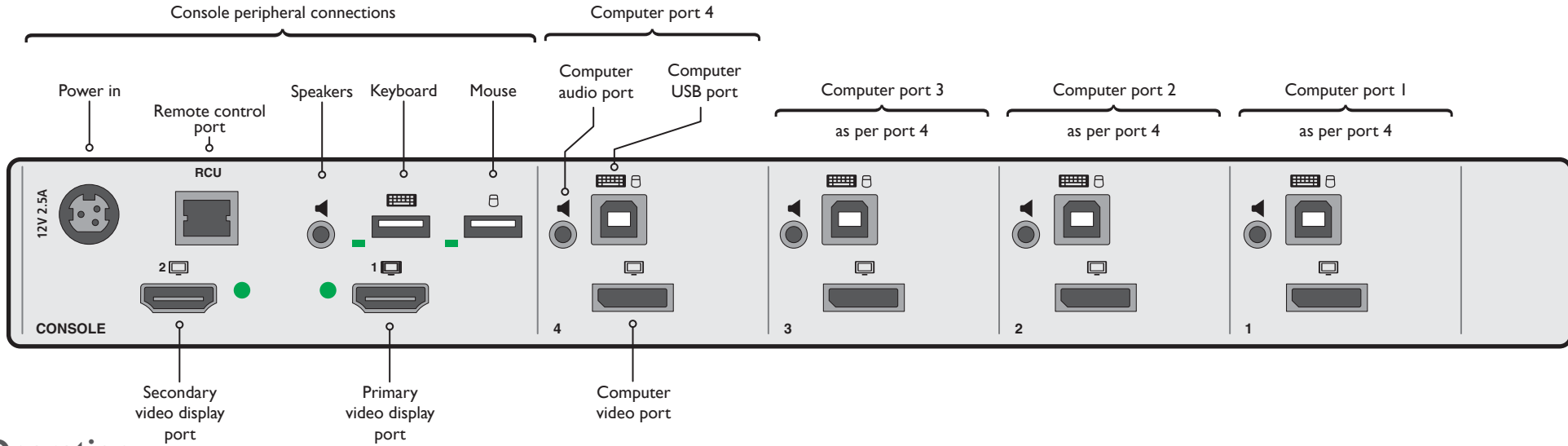
Do not connect this product to computing devices that:

- are TEMPEST computers,
- include telecommunication equipment,
- include frame grabber video cards,
- include special audio processing cards.

# Connections

Model: AVS-4224

Note: Ensure that all peripherals and computers are switched OFF prior to connecting them to the product.



See next page for AVS-4228 and AVS-42216 models.

## Operation

Connect all peripherals and computers to the KVM unit. Ensure that the video monitor(s) are switched on before powering on the KVM unit.

### Switching between computers

Select a computer by either moving the mouse between channel windows, using an RCU or the front panel buttons (AVS-4224 only). The console peripherals will be switched to the chosen computer and the corresponding indicator will illuminate.

### Console port indications

#### Video LEDs

- Off - No monitor connected
- On - Monitor connected

#### USB LEDs

- Off - No device detected
- Flashing - Device rejected
- On - Device approved

### Audio Hold (for model AVS-4224)

The Audio Hold button prevents switching the audio port when changing the other console peripherals (keyboard, mouse, video) to another computer channel. This function is useful when you need to listen to the audio from one computer while working on another.

Using the front panel computer channel buttons, first connect the console peripherals to the computer from where the audio feed is required. Press the Audio Hold button on the front panel. Then press the channel button for the computer that is required for the other peripherals. The audio association will be signalled by the right indicator on each channel's front panel push button.

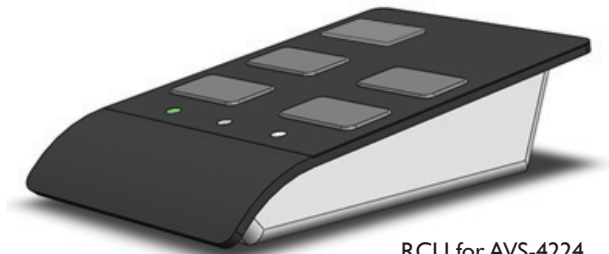
To release the audio from hold status, press the Audio Hold button again.

### Power on self-test

When the unit powers up it performs a self-test procedure. If the self-test fails for any reason, including a jammed button, the unit will become inoperable. The front panel indicators will show an abnormal display. Contact technical support and avoid using the product.

## Remote control unit

The RCU provides a way to manually switch computer channels when the Adder unit is located away from your desktop. The RCU connects to the rear panel of the main unit and replicates at least the channel buttons. Communications are based upon the standard RS232 protocol.



RCU for AVS-4224

## RCU Splitter

The AVS-42216 is controlled by two 8-port Adder RCUs (AS-8RCU) that are connected using an Adder RCU Splitter (AS-SPLRCU) to the remote control port of the switch.

The first RCU is used to select ports 1-8 and the second one, ports 9-16.

